




CRAIG®

HDMI DVD PLAYER


Owner's Manual

PLEASE READ BEFORE OPERATING THIS EQUIPMENT.



Model: CVD401a



Size: 148.5(W) x 210(H)mm (A5)



IMPORTANT SAFETY INSTRUCTION

	CAUTION RISK OF ELECTRIC SHOCK DO NOT OPEN	
<p>CAUTION: TO REDUCE THE RISK OF ELECTRIC SHOCK, DO NOT REMOVE COVER (OR BACK). NO USER-SERVICEABLE PARTS INSIDE. REFER SERVICING TO QUALIFIED SERVICE PERSONNEL.</p>		

CAUTION:
THIS DIGITAL VIDEO DISC PLAYER EMPLOYS A LASER SYSTEM.
TO ENSURE PROPER USE OF THIS PRODUCT, PLEASE READ THIS OWNER'S MANUAL CAREFULLY AND RETAIN FOR FUTURE REFERENCE. SHOULD THE UNIT REQUIRE MAINTENANCE, CONTACT AN AUTHORIZED SERVICE LOCATION-SEE SERVICE PROCEDURE.
USE CONTROLS, ADJUSTMENTS OR THE PERFORMANCE OF PROCEDURES OTHER THAN THOSE SPECIFIED HEREIN MAY RESULT IN HAZARDOUS RADIATION EXPOSURE.
TO PREVENT DIRECT EXPOSURE TO LASER BEAM, DO NOT TRY TO OPEN THE ENCLOSURE. VISIBLE LASER RADIATION MAY BE PRESENT WHEN THE ENCLOSURE IS OPENED. DO NOT STARE INTO BEAM.

WARNING:
TO REDUCE THE RISK OF FIRE OR ELECTRIC SHOCK, DO NOT EXPOSE THIS PRODUCT TO RAIN OR MOISTURE.

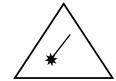
WARNING:
TO REDUCE THE RISK OF FIRE OR ELECTRIC SHOCK, AND ANNOYING INTERFERENCE, USE THE RECOMMENDED ACCESSORIES ONLY.



The lightning flash with arrowhead symbol within an equilateral triangle is intended to alert the user to the presence of uninsulated dangerous voltage within the product's enclosure that may be of sufficient magnitude to constitute a risk of electric shock to persons.



The exclamation point within an equilateral triangle is intended to alert the user to the presence of important operating and maintenance(servicing) instructions in the literature accompanying the appliance.



DANGER:
Invisible and hazardous laser radiation when open and interlock failed or defeated. Avoid direct exposure to beam.

FCC NOTICE:
This equipment has been tested and found to comply with the limits for a Class B digital device, pursuant to part 15 of the FCC Rules. These limits are designed to provide reasonable protection against harmful interference in a residential installation. This equipment generates, uses and can radiate radio frequency energy and, if not installed and used in accordance with the instructions, may cause harmful interference to radio communications.
However, there is no guarantee that interference will not occur in a particular installation. If this equipment does cause harmful interference to radio or television reception, which can be determined by turning the equipment off and on, the user is encouraged to try to correct the interference by one or more of the following measures:

- Reorient or relocate the receiving antenna.
- Increase the separation between the equipment and receiver.
- Connect the equipment into an outlet on a circuit different from that to which the receiver is connected.
- Consult the dealer or an experienced radio/TV technician for help.

FCC WARNING:
To assure continued compliance, follow the attached installation instructions and use only shielded cables when connecting to other devices. Modifications not authorized by the manufacturer may void user's authority to operate this device.

WARNING
USE UNDER SUPERVISION OF AN ADULT DUE TO LONG CORD
This unit has a long AC cord or other long cord that can easily be tripped on or pulled on, causing injury, Please make sure it is arranged so it will not drape over a tabletop, etc. Where it can be pulled on by children or tripped over accidentally.

EXERCISE CAUTION AS UNIT HAS SHARP POINTS.

IMPORTANT SAFETY INSTRUCTION

Before using the unit, be sure to read all operating instructions carefully. Please note that these are general precautions and may not pertain to your unit. For example, this unit may not have the capability to be connected to an outdoor antenna.

- 1) **Read these instructions.**
All the safety and operating instructions should be read before the product is operated.
- 2) **Keep these instructions.**
The safety and operating instructions should be retained for future reference.
- 3) **Heed all warnings.**
All warnings on the product and in the operating instructions should be adhered to.
- 4) **Follow all instructions.**
All operating and use instructions should be followed.
- 5) **Do not use this apparatus near water.**
Do not use this product near water and moisture, for example: near a bathtub, washbowl, kitchen sink or laundry tub; in a wet basement; or near a swimming pool.
- 6) **Clean only with dry cloth.**
Unplug this product from the wall outlet before cleaning. Do not use liquid cleaners or aerosol cleaners. Use a dry cloth for cleaning.
- 7) **Do not block any ventilation openings. Install in accordance with the manufacturer's instructions.**
Slots and openings in the cabinet and in the back or bottom are provided for ventilation, to ensure reliable operation of the product and to protect it from overheating. These openings must not be blocked or covered. The openings should never be blocked by placing the product on a bed, sofa, rug or other similar surface. This product should never be placed near or over a radiator or heat source. This product should not be placed in a built-in installation such as a bookcase or rack unless proper ventilation is provided or the manufacturer's instructions have been adhered to.
- 8) **Do not install near any heat sources such as radiators, heat registers, stoves, or other apparatus (including amplifiers) that produce heat.**
- 9) **Do not defeat the safety purpose of the polarized or grounding-type plug. A polarized plug has two blades with one wider than the other. A grounding type plug has two blades and a third grounding prong. The wide blade or the third prong are provided for your safety. If the provided plug does not fit into your outlet, consult an electrician for replacement of the obsolete outlet.**
- 10) **Protect the power cord from being walked on or pinched particularly at plugs, convenience receptacles, and the point where they exit from the apparatus.**
- 11) **Only use attachments/accessories specified by the manufacturer.**
- 12) **Use only with the cart, stand, tripod, bracket, or table specified by the manufacturer, or sold with the apparatus. When a cart is used, use caution when moving the cart/apparatus combination to avoid injury from tip-over.**



An appliance and cart combination should be moved with care. Quick stop, excessive force and uneven surfaces may cause the appliance and cart combination to overturn.

- 13) **Unplug this apparatus during lightning storms or when unused for long periods of time.**
To protect your product from a lightning storm, or when it is left unattended and unused for long periods of time, unplug it from the wall outlet and disconnect the antenna or cable system. This will prevent damage to the product due to lightning and power-line surges.
- 14) **Refer all servicing to qualified service personnel. Servicing is required when the apparatus has been damaged in any way, such as power-supply cord or plug is damaged, liquid has been spilled or objects have fallen into the apparatus, the apparatus has been exposed to rain or moisture does not operate normally, or has been dropped.**
- 15) **Power source**
This product should be operated only from the type of power source indicated on the marking label. If you are not sure of the type of power supply to your home, consult your appliance dealer or local power company. For products intended to operate from battery power, or other source, refer to the operation instructions.
- 16) **Power lines**
An outside antenna system should not be located in the vicinity of overhead power lines or other electric light or power circuits, or where it can fall into such power lines or circuits. When installing an outside antenna system, extreme care should be taken to keep from touching such power lines or circuits as contact with them might be fatal.

IMPORTANT SAFETY INSTRUCTION

17) Overloading

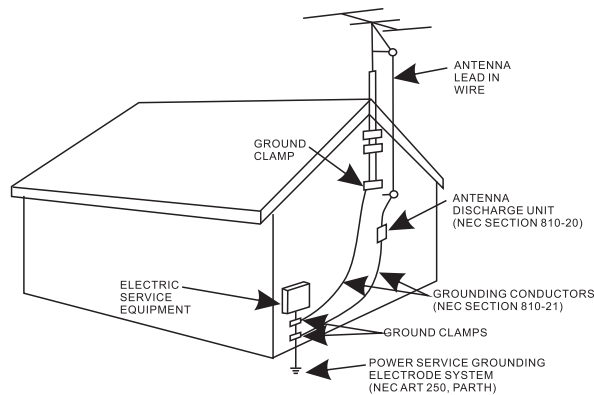
Do not overload wall outlets and extension cords as this can result in a risk of fire or electric shock.

18) Object and liquid entry

Never push objects of any kind into the product through openings as they may touch dangerous voltage points or short out parts that could result in fire or electric shock. Never spill or spray any type of liquid on the product.

19) Outdoor antenna grounding

If an outside antenna is connected to the product, be sure the antenna system is grounded so as to provide some protection against voltage surges and built up static charges. Section 810 of the National Electric Code ANSI/NFPA 70 provides information with respect to proper grounding of the mast and supporting structure, grounding of the lead-in wire to an antenna discharge product, size of grounding conductors, location of antenna-discharge product, connection to grounding electrodes and requirements for the grounding electrodes.



20) Service

Do not attempt to service this product yourself as opening or removing covers may expose you to dangerous voltage or other hazards. Refer all servicing to qualified service personnel.

21) Replacement parts

When replacement parts are required, be sure the service technician uses replacement parts specified by the manufacturer or those that have the same characteristics as the original parts. Unauthorized substitutions may result in fire or electric shock or other hazards.

22) Safety check

Upon completion of any service or repairs to this product, ask the service technician to perform safety checks to determine that the product is in proper operating condition.

23) Wall or ceiling mounting

The product should be mounted to a wall or ceiling only as recommended by the manufacturer.

24) Damage requiring service

Unplug this product from the wall outlet and refer service to qualified service personnel under the following conditions.

- When the power-supply cord or plug is damaged.
- If liquid has been spilled or objects have fallen into the product.
- If the product has been exposed to rain or water.
- If the product does not operate normally by following the operating instructions. Adjust only those controls that are covered by the operating instructions, as an adjustment of other controls may result in damage and will require extensive work by a qualified technician to restore the product to its normal operation.
- If the product has been dropped or the cabinet has been damaged.
- When the product exhibits a distinct change in performance—this indicates a need for service.

25) Note to CATV system installer

This reminder is provided to call the CATV system installer's attention to Article 820-40 of the NEC that provides guidelines for proper grounding and, in particular, specifies that the cable ground shall be connected to the grounding system of the building, as close to the point of cable entry as practical.

NOTE: Refer all servicing to qualified service personnel. Servicing is required when the unit has been damaged in any way such as the following: the power-supply cord or plug has been damaged, liquid has been spilled into unit, the unit has been exposed to rain or moisture, the unit has been dropped or the unit does not operate normally.

IMPORTANT SAFETY INSTRUCTIONS(CONTINUED)

NOTES ON HANDLING:

- When shipping the unit, always use the original shipping carton and packing materials. For maximum protection, repack the unit as it was originally packed at the factory.
- Do not use volatile liquids, such as insect spray, near the unit. Do not leave rubber or plastic products in contact with the unit for a long time. They will leave marks on the finish.
- The top and rear panels of the unit may become warm after a long period of use. This is normal and not a malfunction.
- When the DVD player is not in use, be sure to remove the disc and turn off the power.

NOTES ON LOCATING THE DVD PLAYER:

- When you place this unit near a TV, radio or VCR, the playback picture may become poor and the sound may be distorted. In this case, move the unit away from the TV, radio or VCR.

NOTES ON CLEANING:

Use a soft, dry cloth for cleaning

- For stubborn dirt, soak the cloth in a weak detergent solution, wring well and wipe. Use a dry cloth to wipe it dry. Do not use any type of solvent, such as thinner and benzene, as they may damage the surface of the unit.
- If you use a chemical-saturated cloth to clean the unit, follow that product's instructions.

Warning: Cleaning and adjustment of lenses and /or other components of playback mechanism should be performed by a qualified service technician.

NOTES ON MOISTURE CONDENSATION:

Moisture condensation damages the DVD player. Please read the following carefully.

- Moisture condensation occurs, for example, when you pour a cold drink into a glass on a warm day. Drops of water form on the outside of the glass. In the same way, moisture may condense on the optical pick-up lens inside this unit, one of the most crucial internal parts of the DVD player.

Moisture condensation occurs during the following cases:

- When you bring the DVD player directly from a cold place to a warm place.
- When you use the DVD player in a room where you just turned on the heater, or a place where the cold wind from the air conditioner directly hits the unit.
- In summer, when you use the DVD player in a hot and humid place just after you moved the unit from an air conditioned room.
- When you use the DVD player in a humid place.

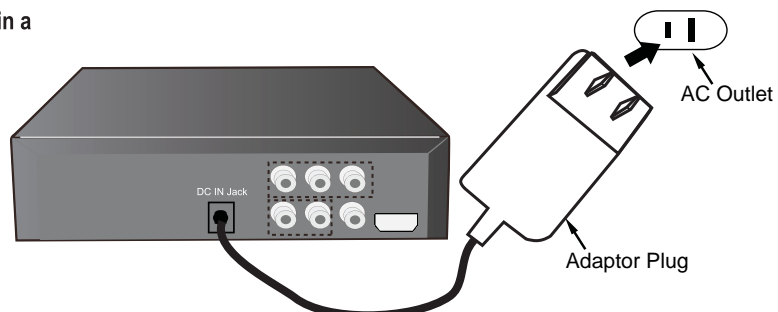
Do not use the DVD player when moisture condensation may occur.

- If you use the DVD player in such a situation, it may damage discs and internal parts. Remove the disc, connect the AC/DC Adaptor to the DVD player and the wall outlet, turn on the DVD player and leave it ON for two or three hours. After two or three hours, the DVD player will have warmed up and evaporated any moisture.

POWER SOURCE

Insert the small plug from the supplied AC/DC Adaptor to the DC IN Jack on the rear of Player. Insert the AC/DC Adaptor into a conveniently located AC outlet having AC 100-240V~, 50/60 Hz.

Note: This AC /DC Adaptor is intended to be in a vertical or floor mount position.



ABOUT DISCS

The region number for this DVD Player is:
See the following page for information regarding region numbers.



PLAYABLE DISCS:

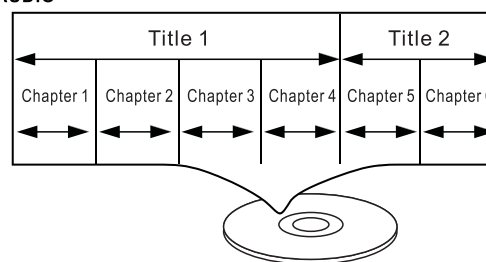
The following discs can be played back on this DVD player:



DISC TYPES:

DVD

Data on most DVDs is divided into sections called titles and then into subsections called chapters, each of which is given a title or chapter number. Some features of this DVD player will not operate with some DVD discs as they are preset. If a function you selected does not run as desired, refer to the manual accompanying the DVD disc.

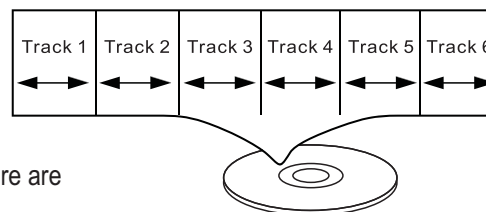


AUDIO CD

Data on an audio CD is divided into sections called tracks, each of which is given a track number.

IMPORTANT:

It is important that you read the manual that accompanies the DVD disc, as there are features that are on the DVD player that cannot be used with certain DVDs. There are also extra features on the DVD disc that are different for each DVD disc, so they are not explained in this owner's manual.



This player conforms to the NTSC and PAL color systems. However, if you are in the USA, Canada or Mexico, leave this setting on NTSC. If incorrectly set to PAL, the TV picture may roll vertically. In this case, set the TV system to NTSC.

Notes on Copyright:

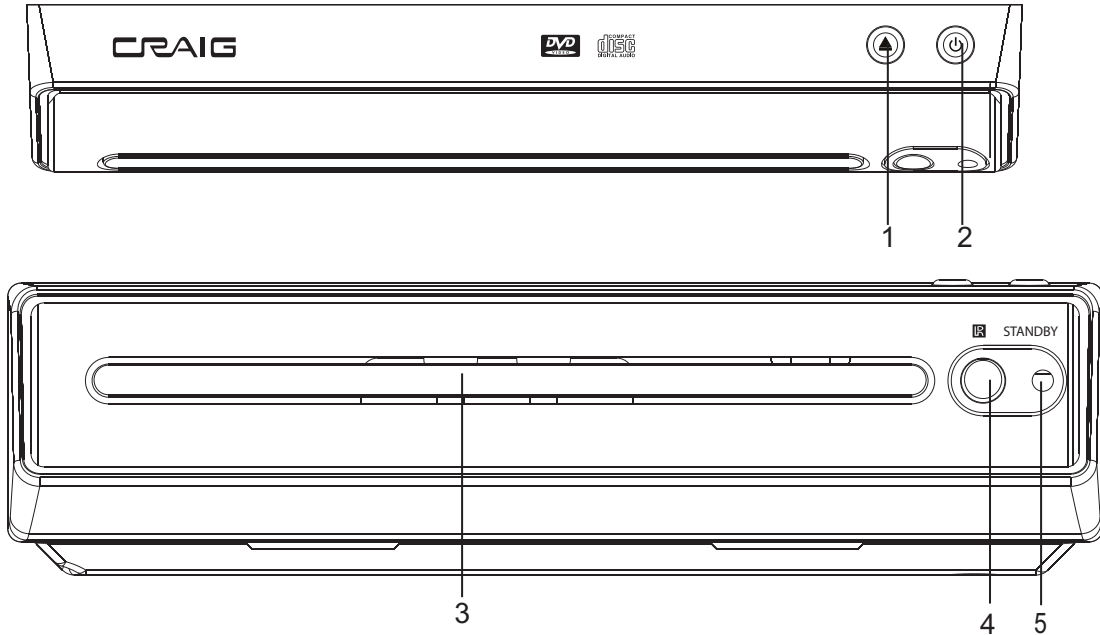
It is forbidden by law to copy, broadcast, show, broadcast on cable, play in public and rent copyrighted material without permission. DVD video discs are copy protected, and any recordings made from these discs will be distorted. This product incorporates copyright protection technology that is protected by method claims of certain U.S. Patents and other intellectual property rights owned by Macrovision Corporation, and is intended for home and other limited viewing uses only, unless otherwise authorized by Macrovision Corporation. Reverse engineering or disassembly is prohibited.

Region Management Information:

This DVD Player is designed and manufactured to respond to the Region Management Information that is recorded on a DVD disc. If the Region number described on the DVD disc does not correspond to the Region number of this DVD player, this DVD player cannot play that disc. You may not be able to play back some DVD video discs on this player if they were purchased from outside your geographic area or made for business purposes. When you try to play back an unauthorized disc, Wrong Region appears on the TV screen.

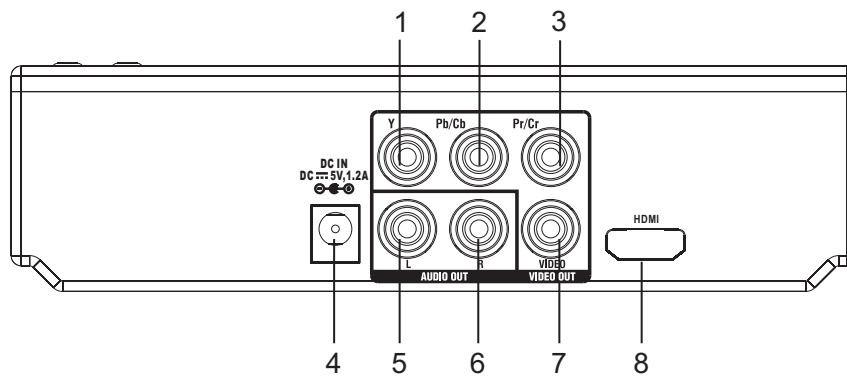
LOCATION OF CONTROLS

FRONT PANEL INFORMATION



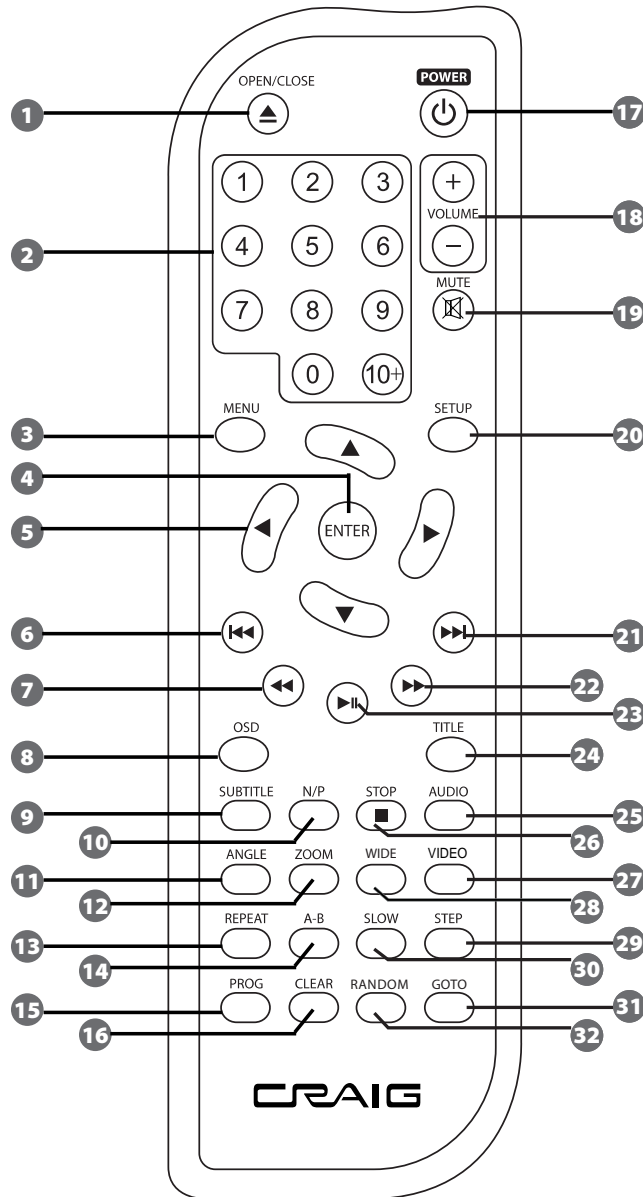
- | | |
|--------------------------|----------------------|
| 1. (▲) Open/Close Button | 4. Remote Sensor |
| 2. (⏻) Standby Button | 5. STANDBY Indicator |
| 3. Disc Tray | |

REAR PANEL INFORMATION



- | | |
|-------------------------------------|----------------------------------|
| 1. Component Y Output Jack | 5. Audio L (left) Output Jack |
| 2. Component Pb/Cb Output Jack | 6. Audio R (right) Output Jack |
| 3. Component Pr/Cr Output Jack | 7. Composite VIDEO Output Jack |
| 4. DC IN Jack (DC = 5V, 1.2A ⊖ ⊕) | 8. HDMI Port |

LOCATION OF FEATURES

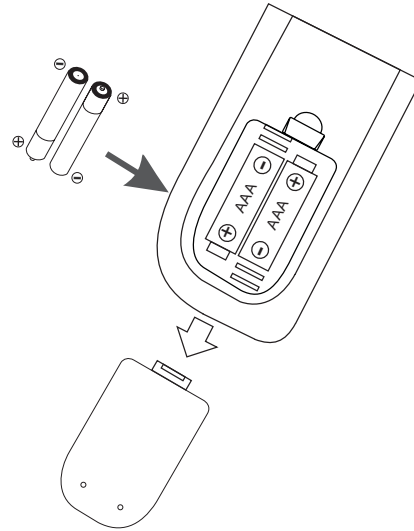


1. **OPEN/CLOSE** ▲ Button
2. **0-9, 10+** Buttons
3. **MENU** Button
4. **ENTER** Button
5. Direction ◀▲▼▶ Buttons
6. ⏪ Button
7. ⏩ Button
8. **OSD (On screen Display)** Button
9. **SUBTITLE** Button
10. **N/P (NTSC/PAL)** Button
11. **ANGLE** Button
12. **ZOOM** Button
13. **REPEAT** Button
14. **A-B** Button
15. **PROG (Program)** Button
16. **CLEAR** Button
17. **POWER** ⏻ Button
18. **VOLUME +/-** Buttons
19. MUTE Button
20. **SETUP** Button
21. ⏮ Button
22. ⏭ Button
23. ⏸ (Play/Pause) Button
24. **TITLE** Button
25. **AUDIO** Button
26. **STOP** ■ Button
27. **VIDEO** Button
28. **WIDE** Button
29. **STEP** Button
30. **SLOW** Button
31. **GOTO** Button
32. **RANDOM** Button

BATTERY INSTALLATION

Battery installation:

1. Press the tabs on the battery door and lifting it off.
2. Install two (2) x AAA size batteries (included) into the battery compartment as the figure on right and the polarity markings inside battery compartment.



3. Replace the battery door.

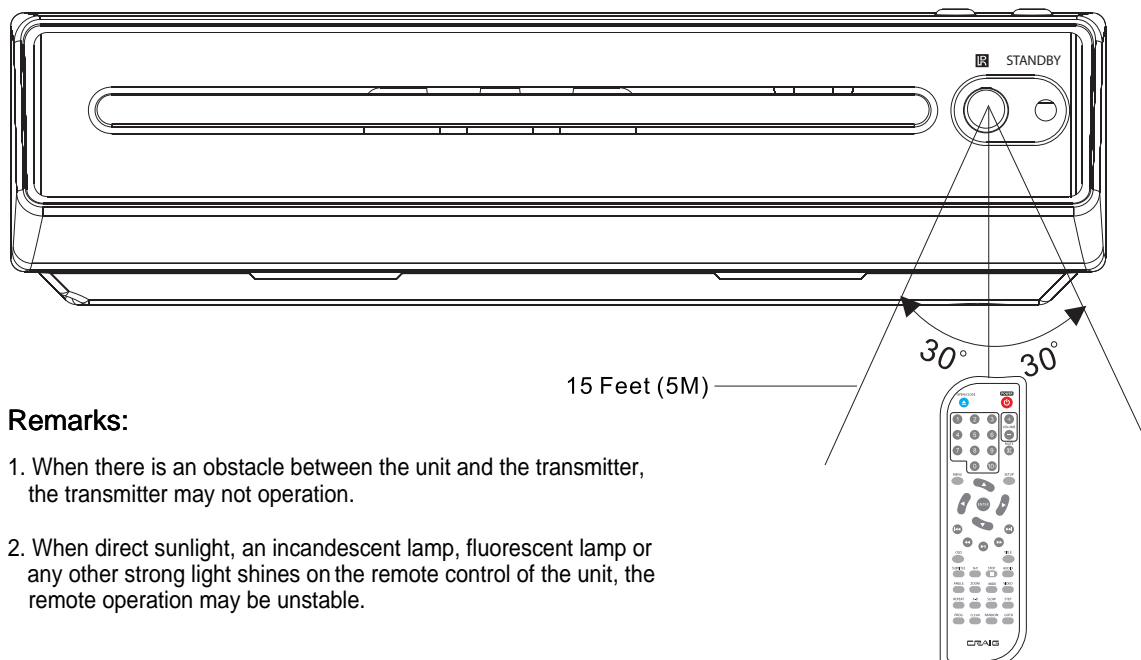
BATTERY PRECAUTIONS:

Follow these precautions when using a battery in this device:

1. Use only the size and type of battery specified.
2. Be sure to follow the correct polarity when installing the battery as indicated in the battery compartment.
A reversed battery may cause damage to the device.
3. Do not mix different types of batteries together (e.g. Alkaline and Carbon-zinc) or old batteries with fresh ones.
4. If the batteries in the device are consumed or the device is not to be used for a long period of time, remove the batteries to prevent damage or injury from possible battery leakage.
5. Do not try to recharge the battery not intended to be recharged; it can overheat and rupture. (Follow battery manufacturer's directions.)
6. Do not dispose of battery in fire. Battery may explode or leak.
7. Clean the battery contacts and also those of the device prior to battery installation.

Remote Control

Remote Sensor

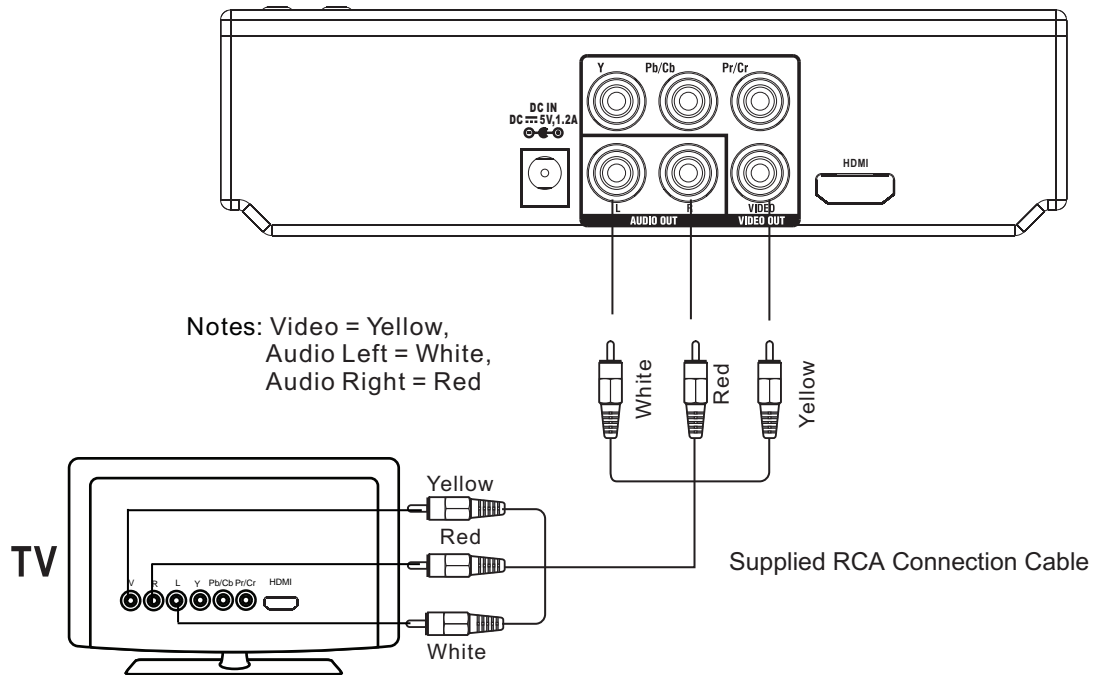


Remarks:

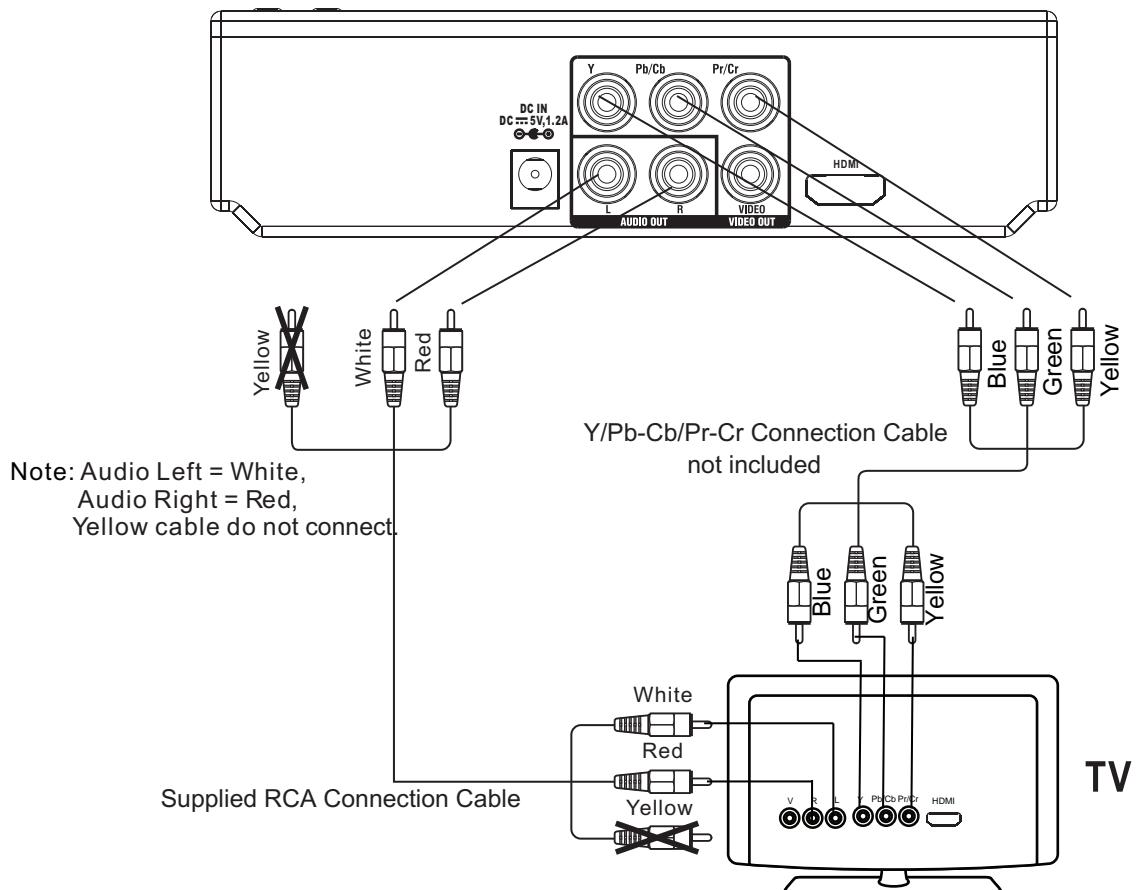
1. When there is an obstacle between the unit and the transmitter, the transmitter may not operate.
2. When direct sunlight, an incandescent lamp, fluorescent lamp or any other strong light shines on the remote control of the unit, the remote operation may be unstable.

CONNECTION TO TV

Connect to TV through AV (Video/Audio) Output Jacks (AV Connection cable included):

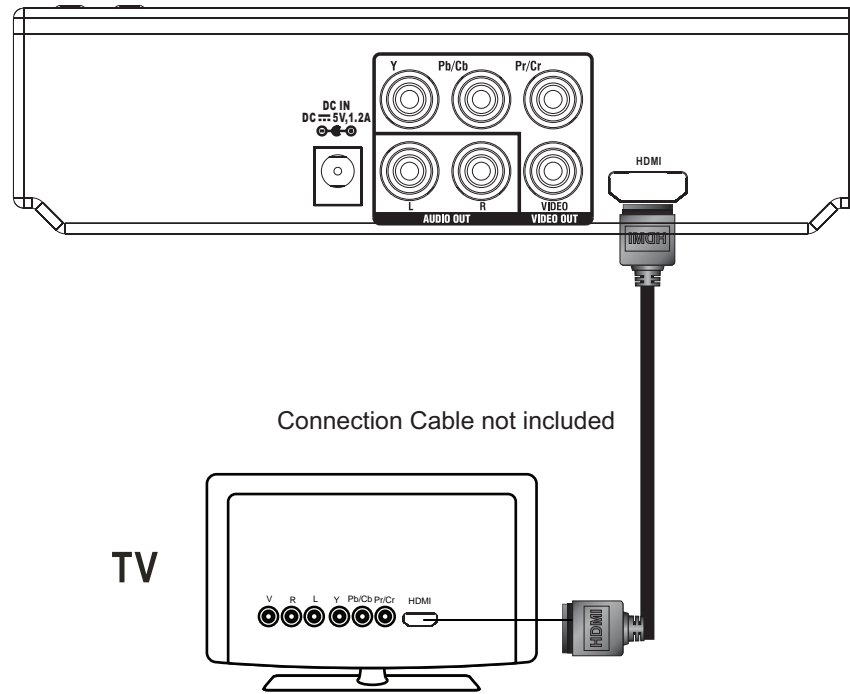


Connection to TV through YUV Output Jacks (YUV Connection cable NOT included):








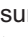



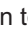



CONNECTION TO TV THROUGH HDMI OUTPUT JACKS

Connection to TV through HDMI Port (HDMI Connection cable NOT included):



OPERATIONS

Playback of a DVD:

1. Connect the DVD Player to the TV as previous procedures.
2. Insert the small plug from the supplied AC/DC Adaptor to the DC IN Jack on the rear of Player.
Insert the AC/DC Adaptor into a conveniently located AC outlet having AC 100-240V~, 50/60Hz. The Red Standby Indicator on the front cabinet will turn on.
3. Press the  Button on the Player or Remote Control to turn the Player on from standby mode.
The color of STANDBY Indicator on the front cabinet will turn to green.
4. Press the OPEN/CLOSE () Button to open the disc tray. Place the disc on the center of tray with label side face up. Close the tray by press the OPEN/CLOSE () Button. The unit will start playback automatically.
5. During playback:
 - ~ Press the  or  Buttons repeatedly to search for a specific section forward/backward.
Press Play/Pause  Button to resume normal playback.
 - ~ Press the  or  Buttons repeatedly to skip to specific tracks/chapters.
 - ~ Press Play/Pause  Button to pause, press again to resume normal playback.
 - ~ Press the VOLUME +/- Button to adjust volume level.
6. Press the  STOP Button to stop playback. The player will remember the point where disc was stopped. When Press the Play/Pause  Button again, playback will start from this point. To stop playback completely or to start again from the beginning, press  STOP Button twice.
7. To power off, press the  Button to turn off (standby mode) the player. The color of the STANDBY Indicator will turn to red.

NOTE: If the player will not be used for a long period of time, power off the player and unplug the AC/DC adaptor from wall outlet.

OPERATIONS

CONTROLS:

Slow motion playback:

During playback, press the SLOW Button repeatedly to set the speed and playback the video in slow motion. Press the **⏮** Play/Pause Button to resume normal playback.

GOTO

- To playback the desired title and chapter, press the GOTO Button once, the Title and Chapter selection on menu will appear on the screen. Using the Direction **◀/▶** Button or numeric buttons to select or enter the number of desired title and chapter. The player will start playback the selected chapter automatically.
- To playback the desired title and establish time, press the GOTO Button twice, the title and establish time selection menu will appear on the screen. Using the Direction **◀/▶** Button or numeric buttons to select or enter the number of desired title and establish time. The player will start playback the selected title at the selected establish time.
- To playback the desired chapter and establish time, press the GOTO Button three times, the chapter and establish time selection menu will appear on the screen. Using the Direction **◀/▶** Button or numeric buttons to select or enter the number of desired chapter and establish time. The player will start playback the selected chapter at the selected establish time.

Repeat Playback:

- During playback, press the REPEAT Button once; “**↺** Chapter ” will appear on the screen then the current chapter will be playback repeatedly and continuously.
- Press the REPEAT Button twice; “**↺** Title ” will appear on the screen then the current title will be playback repeatedly and continuously.
- Press the REPEAT Button three times “**↺** All ” will appear on the screen then the all the files on the current disc will be playback repeatedly and continuously.
- To cancel, press the REPEAT Button repeatedly until all the repeat icons disappears on the screen.

A-B Repeat Playback:

During Playback, press the A-B Button to define where you want the section to start. Press the A-B Button again to define where you would like the section to end, the player will then play the selected section repeatedly and continuously. Press the A-B Button again to resume normal playback.

Note: This function is not available on all discs.

Subtitle:

Press the SUBTITLE Button repeatedly to select the subtitle language or turned the subtitle menu off. This function is not available on all discs.

PROG (Program):

1. During DVD playback, press the **PROG** (Program) Button. The Program menu will appear as follows:

1	TT:02 CH: 01	6	TT: CH:
2	TT: CH:	7	TT: CH:
3	TT: CH:	8	TT: CH:
4	TT: CH:	9	TT: CH:
5	TT: CH:	10	TT: CH:
Exit Start NEXT ▶▶			

2. Using the Direction and Numeric Buttons to select and set the desired TT (Title), CH (Chapters) of the movie. (During setting, press the "CLEAR" Button to clear the incorrect input).

3. After setting, using the Direction Button to select and highlight the " Start " Button on the screen then press the ENTER Button to start program playback.

OPERATIONS

DVD Menu:

Press the MENU Button , the menu of the current DVD will appear on the screen. Use the direction buttons to select the desired option, and then press the ENTER Button to confirmed the selection. This function is not available on all discs.

Title

Press the TITLE button , the title menu of the current DVD will appear on the screen. Use the direction buttons to select the desired option, and then press the ENTER Button to confirmed the selection. This function is not available on all discs.

OSD (On Screen Display):

During playback, press the OSD Button repeatedly to read the information of playback status.

Zoom:

During movies/picture playback, press the ZOOM Button repeatedly to zoom in or zoom out.

Angle:

If 𐄂 appear on the screen, it means more than one scenes available on the current DVD. Press the ANGLE Button repeatedly to select the desired scenes. This function is not available on all discs.

Mute

To temporarily mute the sound, press the 𐄂 MUTE Button. Press again to resume normal playback.

VIDEO:

Press repeatedly to set the Video output modes to CVBS or YUV.

N/P (NTSC/PAL)

Press N/P Button to change the video output signal from the player to PAL; NTSC or AUTO to matching the color system of your Television.

Note: The color system of Television in US, Canada and Mexico is NTSC.

STEP

During movie playback, press STEP Button repeatedly to plays the movie frame by frame. To resume normal playback, press the 𐄂 Play/Pause Button

WIDE

Press repeatedly to set the aspect ratio to match the aspect ration of the connected TV.

RANDOM

Press RANDOM Button to plays the tracks randomly.

AUDIO

During DVD playback, press repeatedly to select the desired language/audio channel (Function depends on the recording of the disc).

NOTE:

If the input is incorrect, "Input Invalid" will appear on TV screen.

OPERATIONS

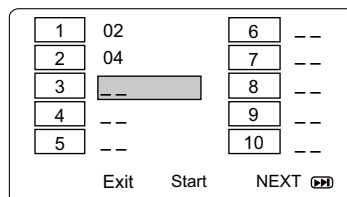
Playback of a CD:

1. Connected the DVD Player to the TV and power on it as previous procedures.
2. Press the OPEN/CLOSE (▲) Button to open the disc tray . Place the disc on the center of tray with label side face up. Closed the tray by press the OPEN/CLOSE (▲) Button. The unit will start playback automatically.
3. During playback:
 - ~ Press the ►► or ◀◀ Buttons repeatedly to search for a specific section forward/backward.
Press Play/Pause ►| Button to resume normal playback.
 - ~ Press the ►► or ◀◀ Buttons repeatedly to skip to specific tracks/chapters.
 - ~ Press Play/Pause ►| Button to pause, press again to resume normal playback.
 - ~ Press the VOLUME +/- Button to adjust volume level.
4. Press the ■ STOP Button to stop playback. The player will remember the point where disc was stopped. When Press the Play/Pause ►| Button again, playback will start from this point. To stop playback completely or to start again from the beginning, press ■ STOP Button twice.
5. To power off, press the ⏻ Button to turn off (standby mode) the player. The color of the STANDBY Indicator will turn to red.

NOTE: If the player will not be used for a long period of time, power off the player and unplug the AC/DC adaptor from wall outlet.

PROG (Program):



1. During CD playback, press the **PROG** (Program) Button. The Program menu will appear as follows.



2. Using the Direction and Numeric Buttons to select and set the desired tracks.
(During setting, press the "Clear" Button to clear the incorrect input).
3. After setting, using the Direction Button to select and highlight the " Start " Button on the screen then press the ENTER Button to start program playback.

OPERATIONS

Repeat Playback:

- During playback, press the REPEAT Button once; “  Track ” will appear on the screen then the current Chapter will be playback repeatedly and continuously.
- Press the REPEAT Button twice, “  All ” will appear on the screen then all tracks on the current disc will be playback repeatedly and continuously.
- To cancel, press the REPEAT Button repeatedly until all the repeat icons disappears on the screen.

GOTO

- Press the GOTO Button once, " Disc Go To:--:--" will appear on the screen. Using the numeric buttons to enter the desired established time. The player will start to play from it automatically.
- Press the GOTO Button twice, " Track Go To:--:--" will appear on the screen. Using the numeric buttons to enter the desired established time of the current track. The player will start to play from it automatically.
- Press the GOTO Button three times, " Select Track:--/--" will appear on the screen. Using the numeric buttons to enter the number of desired track. The player will start to play from it automatically.

OPERATIONS

Playback of a JPEG (PICTURE) MP3 disc:

1. Turn on the player and place the disc into the player as previous procedures. The folder/files list will appear on the screen.
2. Use the direction buttons to select and highlight the desired folder then press the ENTER button to enter. The file list will appear on the screen. And/or using the Direction Buttons to select and highlight the desired file then press the ENTER or **▶||** Play/Pause Button to start playback.

Repeat

During playback, press the REPEAT Button repeatedly to select:

- ~ Single: Press REPEAT Button once to play the current file then stop. "Single" will appear on screen.
- ~ Repeat One: Press REPEAT Button twice to play the current file repeatedly. "Repeat one" will appear on screen.
- ~ Repeat Folder: Press REPEAT Button three times to play the files in the current folder repeatedly. "Repeat Folder" will appear on screen.
- ~ Folder: Press REPEAT Button four times to play the files in the current folder then stop. "Folder" will appear on screen.
- ~ To cancel: Power off the player.

Notes:

1. Disc loading period of the JPEG/MP3 discs may be longer than loading DVD disc.
2. Other operation is similar to CD disc playing.
3. PROG (Program) is not functioning in MP3 Playback.
4. If JPEG (Photo) files is playing, it will plays in slide mode automatically.
Press the RROG Button repeatedly to select and set the photo changing mode.

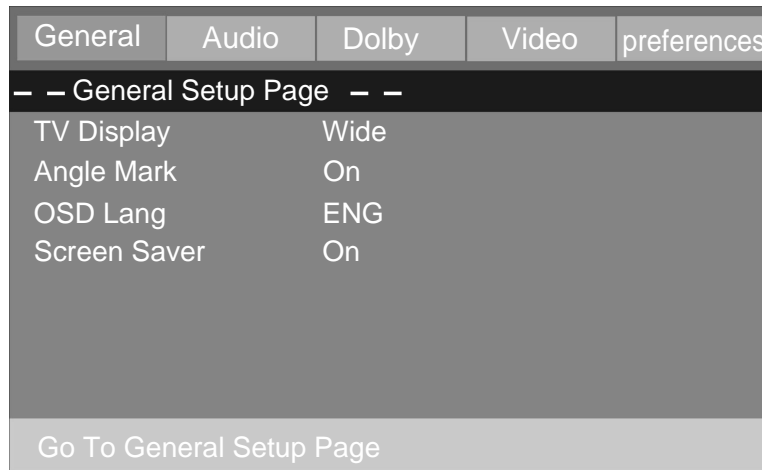
IMPORTANT NOTES:

- Some discs may take a few seconds to load. If a disc is inserted incorrectly, dirty, damaged, or is not present at all, "NO Disc" or "Bad Disc" will appear in the display.
- Always hold the disc without touching either of its surfaces. When inserting a disc, position it with the printed title side facing up, align it with the guides and place it in its proper position.
- It is important that you read the manual that accompanies the DVD disc as there are features that are on this DVD player that cannot be used with certain DVDs. There are also extra features that are different for each DVD disc, so they are not explained in this owner's manual.

SYSTEM SETUP

Setting Menus:

Press the SETUP Button, the setting menu will appear on the screen as below. Using the Direction ◀, ▶, ▲, ▼ Buttons to select and highlight the function you need to set or reset. Press the ENTER Button to enter or confirmed the selection. After setting, press the SET UP Button to save the settings and exit.



General Setup Page:

1. If TV Display is selected, using the Direction and ENTER Buttons to set the aspect ratio to Normal/PS (4:3); Normal/LB (4:3 Letter Box) or Wide (16:9) to match the connected TV.
2. If Angle Mark is selected, using the Direction and ENTER Buttons to set it On or Off. If set to On, when multi-angles are available in the playing DVD, the multi-angle logo 𐄂 will appear on the screen.
3. If OSD Lang (On Screen Display Language) is selected, using the Direction and ENTER Buttons to set the OSD language to English; French, Germany or Spanish as desired.
4. If Screen Saver is selected, using the Direction and ENTER Buttons to set it On or Off. If set to On, the screen saver will come on when the unit stops or the image is paused for approximately five minutes.

Audio Setup Page:

1. If Downmix is selected, using the Direction and ENTER Buttons to set it to LT/RT or Stereo.
 - ~ If set to LT/RT, the rear left or rear right channels in Dolby 5.1 recording DVD will play on both Left and Right Speakers.
 - ~ If set to Stereo, the rear left channel will play on Left Speaker; the rear right channel will play on Right Speaker.
- Note: Function depends on the recording of disc.

Dolby Digital Setup Page:

1. If Dual Mono is selected, using the Direction and ENTER Buttons to set it to Stereo, L-Mono (Play Left channel on all speakers), R-Mono (Play Right channel on all speakers) or Mix-Mono (Mixed Right and Left channel then plays on all speakers) as desired. (Functions depend on the recording of the disc).
2. If Dynamic is selected, using the Direction and ENTER Buttons to set the dynamic level as desired or turn it off.

SYSTEM SETUP

Video Setup Page:

1. If Component is selected, using the Direction and ENTER Buttons to set it to CVBS or YUV as the connection of TV.
 - ~ Set to CVBS if you connected TV through the Video/Audio Output Jacks as page 9.
 - ~ Set to YUV if you connected TV through the Y; Pb/Cb and Pr/Cr Jacks.
2. If HDMI Resolution is selected, using the Direction and ENTER Buttons to select and set the resolution of the digital video output through the HDMI Port and YUV Jacks.

NOTES:

- ~ Make sure your TV is support the resolution of the settings. Otherwise, no pictures shows on your TV. In this case, connected the Player to your TV through A/V Out Jacks then set the HDMI to lower resolution.
- ~ If your TV not support 50Hz, set the resolution to 480p; 720p; 1080i or 1080p.

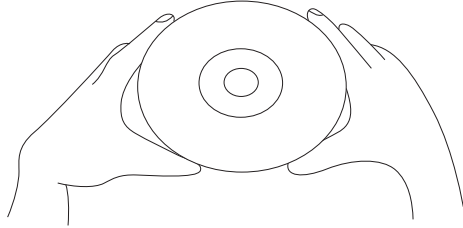
Preference Setup Page:

1. If TV Type is selected, using the Direction and ENTER Buttons to set to PAL, AUTO or NTSC.
(Note: The TV system in US, Canada and Mexico is NTSC).
2. If Audio, Subtitle or Disc Menu is selected, using the Direction and ENTER Buttons to set the priority of the available language. (Function depends the recording of DVD).
3. If Parental is selected, using the Direction and ENTER Buttons to set the rating level as desire as follow:
 - ~ Press the Direction ► Button to enter, the rating level list will highlight.
 - ~ Press the Direction ▲ or ▼ Button to select the desired level as below.
 - ~ Press the ENTER Button to enter, password enter window will pop up.
 - ~ Enter the four digit password (default password is 4010) by pressing the Numeric Buttons.
 - ~ Press the ENTER Button to save the settings and exit.
 - ~ Rate levels:
 - 1 KID SAFE: Kid safe
 - 2 G: All ages
 - 3 PG: Parental Guidance
 - 4 PG13: Parental Guidance less than 13 years old
 - 5 PGR: Under 17 years old, Parental Guidance suggested
 - 6 R: Under 17 years old, Parental Guidance strongly
 - 7 NC 17: 17 years old or above
 - 8 ADULT: Adult only
4. If Password is selected, press the ENTER Button to enter, the subsetting menu will appear.
 - ~ If Password Mode is selected, using the Direction and ENTER Buttons to set it On (activate the rating level setting) or Off (Password is needed). Password enter window will pop up. Enter the four digit password (default password is 4010) by pressing the Numeric Buttons. Press the ENTER Button to save the settings and exit.
 - ~ If Password is selected, press the ENTER Button twice to enter. The New password setting menu will appear.
 - ~ Enter the four digit old password. The Colum of New Password will be highlighted.
 - ~ Enter new four digit password. The Column of Confirm Pwd will be highlighted.
 - ~ Enter the new password again. OK Button on the screen will be highlighted. Press the ENTER Button to save the setting and exit.
5. If Default is selected, using the Direction and ENTER Buttons to reset all setting to default setting or press the SETUP Button to exit without changes.

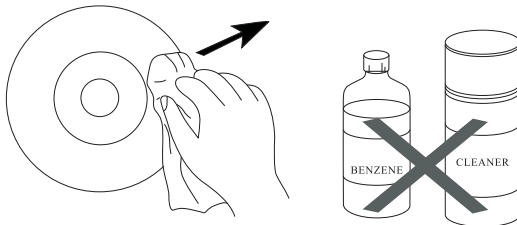
CARE AND MAINTENANCE

Caring for Discs

- Treat the disc carefully. Handle the disc only by its edges. Never allow your fingers to contact with the shiny, unprinted side of the disc.



- Do not attach adhesive tape, stickers, etc. to the disc label.
- Clean the disc periodically with a soft, lint-free, dry cloth. Never use detergents or abrasive cleaners to clean the disc. If necessary, use a CD cleaning kit.
- If a disc skips or gets stuck on a section of the disc, it is probably dirty or damaged (scratched).
- When cleaning the disc, wipe in straight lines from the center of the disc to the outer edge of the disc. Never wipe in circular motions.



- Discs should be stored in their cases after each use to avoid damage.
- Do not expose discs to direct sunlight, high temperatures or dust, etc. Prolonged exposure or extreme temperatures can warp the disc.
- Do not stick or write anything on either side of the disc. Sharp writing instruments, or the ink, may damage the surface.

Cleaning the Unit

- To prevent fire or shock hazard, disconnect your unit from the AC power source when cleaning.
- The finish on your unit may be cleaned with a dust cloth and cared for as other furniture. Use caution when cleaning and wiping the plastic parts.
- Mild soap and a damp cloth may be used on the front panel.

TROUBLESHOOTING GUIDE

Check the following before requesting service:

SYMPTOM	POSSIBLE CAUSE	POSSIBLE SOLUTION
DVD Player		
No power.	AC/DC Adaptor unplugged.	Insert the small plug from the supplied AC/DC Adaptor to the DC IN Jack on the rear of Player. Insert the AC/DC Adaptor into a conveniently located AC outlet
Power on, but unit not functioning properly.	Condensation has formed.	Unplug the unit and wait about one to two hours until the player is dry.
	Wrong type of discs or the disc is corrupted.	Try other discs.
	The disc is dirty or inserted incorrectly.	Clean disc and insert with label side-up.
No picture and/or no sound.	The connection cables are not installed correctly.	Re-install the connection cables.
	The video output of the player are incorrectly set.	Press the VIDEO button repeatedly until correct picture appears on the TV.
	The connected TV power is off.	Turn the TV on.
Playback picture rolling .	Color system of the player has wrong settings.	Press the N/P button repeatedly until correct picture appears on the TV.
Picture quality no good.	The disc is dirty.	Clean the disc.
The remote control is not working.	The batteries are weak or dead.	Replace batteries.
	The batteries are not installed properly.	Install batteries as the polarity markings inside battery compartment.
	The remote is not aimed at the sensor.	Aim the remote at the sensor.
	Distance is too far .	Operate within 15'
	There is an obstacle in the path of the beam.	Move obstacle.
The unit does not start playback.	DVD not inserted, or inserted up-side-down.	Insert DVD correctly.
	A non-playable disc is inserted.	Try other CD, DVD discs.
	The disc is not placed in the tray.	Place the disc on the disc tray correctly
	The disc is dirty.	Clean the disc.
Some functions do not operate as stated.	Some features and functions are not available on all discs.	The function is not available on the current disc, try other discs.
Selected language is not being shown in the subtitles, or spoken.	The preset sound Language, subtitle not available in the current disc.	The function is not available on the current disc, try other discs.
Subtitle are not working properly.	Subtitles not turned on.	~ Turn the subtitle on. ~ The function is not available on the current disc, try other discs.
Angle cannot be changed.	Angles may not be recorded on the disc (see disc jacket/case),or they may only be recorded on certain section.	~ Try another disc. ~ The multi-angle is not attached in whole disc,wait until the multi-angle icon " 𑍇 " appear on the screen then press the ANGLE button on the remote control to change.
The Rating Level password has been forgotten.		Use the super password "4010" to release the lock and reset a new password.

SPECIFICATIONS

Power Source:

DVD Player ----- DC \equiv 5V, 1.2A, \ominus \oplus , Max. 6W

Remote Control ----- DC \equiv 3V, 2 x AAA size batteries, included

Signal System ----- NTSC/PAL

Discs Played:

DVD-VIDEO Disc

12cm single-sided, single layer

12cm single-sided, dual layer

12cm double-sided, single layer

8cm single-sided, single layer

8cm single-sided, dual layer

8cm double-sided, single layer

COMPACT DISC (VIDEO CD)

12cm disc

8cm disc

Video Output Level ----- 1Vp-p

Audio Output Level ----- 2Vrms (1KHz, 0dB)

Audio Signal Output Characteristics:

Frequency Responses:

DVD (Linear Audio) ----- 20Hz-20KHz (48KHz/96KHz sampling)

CD Audio ----- 20Hz-20KHz

S/N Ratio ----- 70dB

Pickup:

Wavelength ----- 655nm

Laser Power ----- Class 1

Specifications are subject to change without notice.

Accessories:

1 x User's Manual

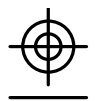
1 x Remote Control

2 x AAA size batteries for remote control

1 x AV connection cable

1 x AC/DC Adaptor Input: AC 100-240V~, 50/60Hz, 0.18A

Output: DC 5V \equiv 1.2A, \ominus \oplus



LIMITED WARRANTY

Craig warrants this product to be free from manufacturing defects in material and workmanship under normal use for a period of 90 days from date of purchase. If service is required, please return the product to the store where it was purchased for exchange; or, pack the unit in the original packing material with all accessories if applicable, a copy of your sales receipt and a Cashier's check or Money Order for \$10 (to cover shipping and handling costs) payable to Craig Electronics Inc. For consumers in Canada, please make sure that the cashier check or money order is redeemable through a U.S. bank. Ship your product freight pre-paid. Your unit will be repaired, replaced or if the unit can not be repaired or replaced, a refund will be forwarded to you within four weeks of receipt of your unit. Please ship your unit to:

Craig Electronics Inc.
1160 NW 163 Drive
Miami, FL 33169

This warranty is void if the product has been: a) Used in a commercial application or rental. b) Damaged through misuse, negligence, or abuse. c) Modified or repaired by anyone other than an authorized Craig service center. d) Damaged because it is improperly connected to any other equipment.

Note: This warranty does not cover: a) Ordinary adjustments as outlined in the Owner's Manual which can be performed by the customer. b) Damage to equipment not properly connected to the product. c) Any cost incurred in shipping the product for repair. d) Damage to the product not used in the USA.

This warranty is not transferable and only applies to the original purchase. Any implied warranties, including the warranty of merchantability, are limited in duration to the period of this expressed warranty and no warranty whether expressed or implied shall apply to the product thereafter.

Under no circumstance shall Craig be liable for any loss or consequential damage arising out of the use of this product. This warranty gives specific legal rights. However, you may have other rights which may vary from state to state. Some states do not allow limitations on implied warranties or exclusion of consequential damage. Therefore, these restrictions may not apply to you.

To Obtain Service on your Product
email: service@craigelectronics.com

Printed in China

CVD401a_IB_E0CL1_B0US

